

Manufactured in the UK, to meet the demands of restaurants, bars and clubs around the world.

Here you'll find a range of Back Bar Storage cabinets that combine retro looks with the latest refrigeration technology. These cabinets make a stylish addition to any bar concept.

With optional features like heavy-duty lockable latch handles and brushed or polished stainless steel finish; these retro looking cabinets are a high-impact sales tool as well as being a solid, reliable piece of refrigeration.

A 32°C high ambient refrigeration system - managed by an electronic controller - provides accurate temperature control and peace of mind 24 hours a day. Audio visual temperature alarms come as standard.

The self contained rear-mounted refrigeration system vents from the front and draws from the rear. Defrost is automatic and our energy saving waste heat vaporiser system eliminates the need for a drain.



Thoughtful Design Features

Cabinets are available in a variety of finishes including polished, and brushed stainless steel, black, white and just about any power coated colour finish you or your designer can imagine. Bright fluorescent interior lighting comes as standard.

Adjustable Shelving

Lockable, self-closing doors, with removable magnetic balloon type gaskets provide access to the adjustable shelving system. Two heavy-duty shelves are supplied per door as standard but extras can be ordered as required.

Glass Froster

A single or double door glass froster is available within the product range allowing you to create additional sales impact through frosted glasses.

General Specifications

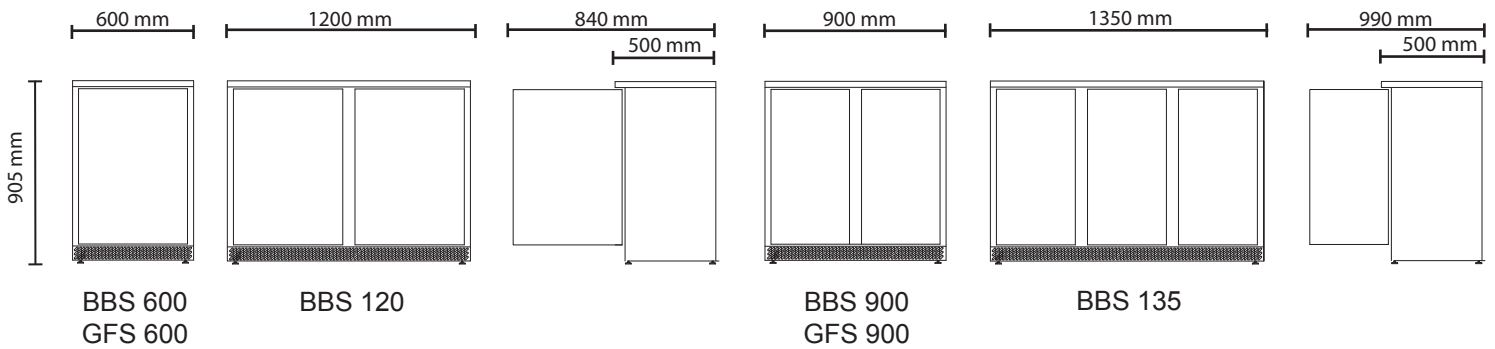
- 32°C ambient refrigeration system
- Electronic controller with alarms
- Automatic off cycle defrost (H)
- Hot gas defrost (GFS)
- Zero ODP injected polyurethane insulation
- Adjustable shelving system
- Self closing doors
- Glass froster solid door only
- Door lock (in handle / in grill)
- Removable magnetic door gasket

Options

- Exterior finishes
- Extra shelves and clips
- Solid / Glass door (H)
- Solid Door Only (GFS)
- Remote condensing unit - R
- Stainless steel pull handle
- Chrome heavy duty latch handle

Temperatures

- Refrigerators (H) 3 / 8 C
- Glass Froster (GFS) -8 / -10 C



Technical Data

model	temp. °C	nom. cap. bottles	l mm	d mm	h mm	gas	shelves	ref. cap. watts	evap. @ °C	power	amps	wt. kg
BACK BAR STORAGE												
BBS 600	3 / 8 C	112	600	550	905	R134A	2	450	-5 C	240 / 50 / 1	2.5	58
BBS 900	3 / 8 C	206	900	550	905	R134A	2	500	-5 C	240 / 50 / 1	3.0	95
BBS 120	3 / 8 C	234	1200	550	905	R134A	2	500	-5 C	240 / 50 / 1	3.0	105
BBS 135	3 / 8 C	280	1350	550	905	R134A	2	550	-5 C	240 / 50 / 1	3.5	135
GLASS FROSTER												
model	temp. °C	nom. cap. bottles	l mm	d mm	h mm	gas	shelves	ref. cap. watts	evap. @ °C	power	amps	wt. kg
GFS 600	- 8 / -10 C	GLASSES	600	550	905	R404A	2	500	- 20 C	240 / 50 / 1	2.0	60
GFS 900	- 8 / -10 C	GLASSES	900	550	905	R404A	2	550	- 20 C	240 / 50 / 1	2.5	95

Units require free air movement above and behind.