

Manufactured in the UK, to meet the demands of restaurants, bars and clubs around the world.

Precision's Back Bar Storage cabinets combine great looks with the latest hassle free energy saving refrigeration technology. These cabinets make a stylish addition to any bar concept with numerous exterior finishes, as well as door and handle options, to compliment any interior decor.

These back bar fridges are a high-impact sales tool as well as being a solid, reliable piece of refrigeration. A robust 32°C high ambient refrigeration system offers rapid cooling times allowing drinks to be served at the correct temperature even in the busiest of bars.

The self contained rear-mounted refrigeration system vents from the front allowing units to be fully built-in. They can also be installed side by side as doors open within the unit's own footprint.

Cabinets are made from durable stainless steel with CFC free ozone friendly insulation. Low height - 800 or 845mm - models are also available for under bar applications.



Thoughtful Design Features

Superior condenser design helps prevent blockages and provides virtually maintenance free operation. Automatic energy saving controller ensures accurate temperature control, audio visual temperature alarms, as well as reduced energy consumption of up to 20%.

Adjustable Shelving

Lockable doors with removable magnetic balloon type gaskets provide access to the adjustable shelving system. Two heavy-duty shelves are supplied per door as standard. Extras can be ordered as required.

Flexibility

Cabinets are available with glass, solid or sliding doors. Choose from a variety of exterior finishes: standard, mirrored or black stainless steel, or even painted to any RAL colour. Various handle options are also available - as well as coloured LED interior lights.

General Specifications

32°C ambient refrigeration system
 Automatic energy saving electronic temperature controller
 Front venting refrigeration system with maintenance free condenser
 Mirrored stainless steel interior
 Stainless steel exterior
 Automatic off cycle defrost
 Glass doors
 Interior white LED lighting
 CFC free Ozone friendly insulation
 Adjustable shelving system
 Door locks
 Removable magnetic door gasket
 Pull door handles

Options

Exterior finish:
 Stainless Steel (Standard)
 Mirrored Stainless Steel
 Black Stainless Steel
 Black Plastisol Steel
 Painted to any RAL colour

Doors:
 Glass (Standard)
 Solid
 Sliding Glass (900 model only)
 Sliding Solid (900 model only)

Order Code

SS
 MSS
 BSS
 BPS
 RAL

GL
 SO
 SGL
 SSO

Options

Handles:
 Pull (Standard)
 Side Mounted Latch

Lights:
 White LED (Standard)
 Blue LED

Heights:
 900mm (Standard)
 845mm
 800mm

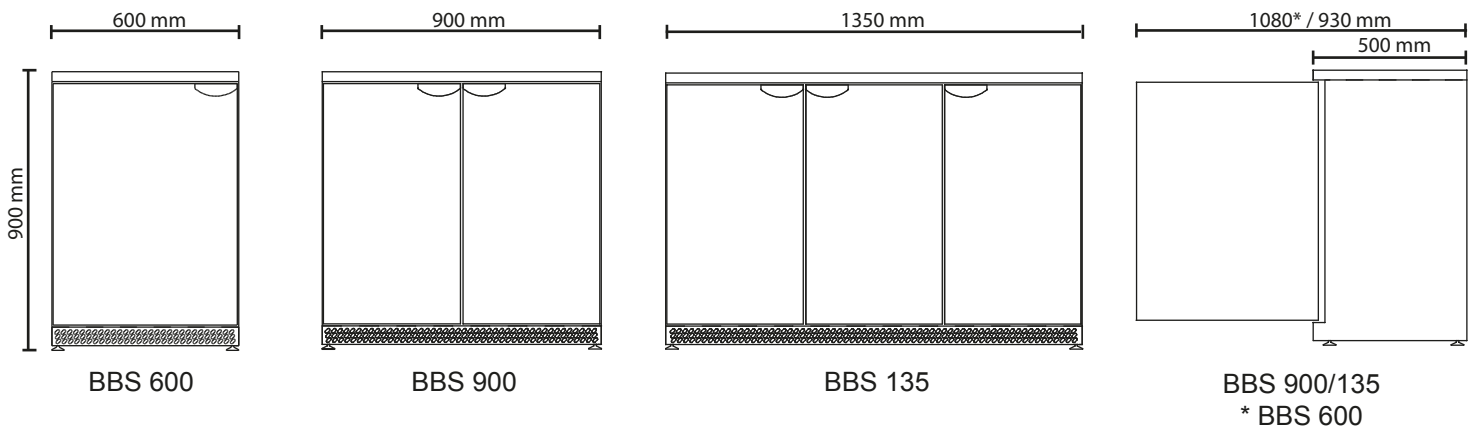
Shelving:
 Extra shelves & Clips

Order Code

P
 L
 BLUE

845
 800

SC



Technical Data

| model | temp °C | nom. cap. bottles | l mm | d mm | h mm | gas | shelves | power | amps | wt. kg |
|-------------------------|---------|-------------------|------|------|------|-------|---------|--------------|------|--------|
| BACK BAR STORAGE | | | | | | | | | | |
| BBS 600 | 2/6 | 126 | 600 | 500 | 900 | R134A | 2 | 240 / 50 / 1 | 1.6 | 58 |
| BBS 900 | 2/6 | 196 | 900 | 500 | 900 | R134A | 2 | 240 / 50 / 1 | 1.6 | 93 |
| BBS 135 | 2/6 | 294 | 1350 | 500 | 900 | R134A | 2 | 240 / 50 / 1 | 1.8 | 137 |