



HSS340-DD

Proudly made in the UK, Precision's Space Saver Prep Counter is perfect for smaller operations or where space is at a premium. This compact all stainless steel prep counter offers high performance cold prep and storage solutions in even the smallest of kitchens.

An insulated hinged lid is supplied as standard to reduce energy consumption and maintain safe food temperatures for longer periods.



HSS340-DD



HSS340-HH

Key Features:

Stainless Steel Interior & Exterior

Front Breathing & Venting 32°C Ambient Rated Refrigeration System

Pan Well Holds 6 x GN1/3 - 150mm Deep pans

Insulated Lid

R290 Refrigerant

Zero ODP Injected Polyurethane Insulation

+1 / 4°C Refrigerator Temperature Range

Electronic Controller With Easy Read LCD Screen

Hot Gas Defrost

Rifle Bore Coated Evaporators

Integrated Flush Door Handle

Stainless Steel Perforated Shelves - Anti Tilt Slides

Hi / Lo Audio Visual Temperature Alarms

Condensing Unit Safety System To Protect Compressor From Blocked Condensers

Self Closing Doors

72mm Castors

Waste Heat Recovery Condensate Vaporiser System

Options:

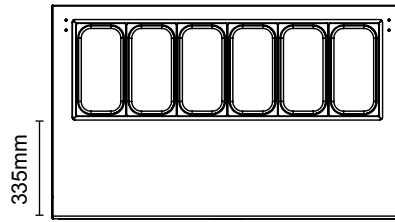
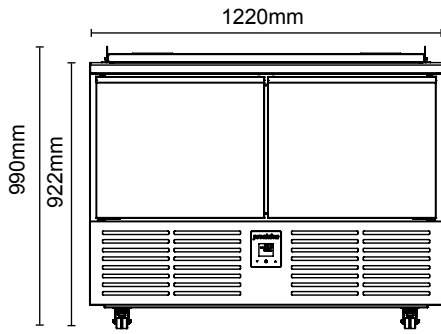
Bank of 2 Drawers (150/150mm Depth)

Stainless Steel Back

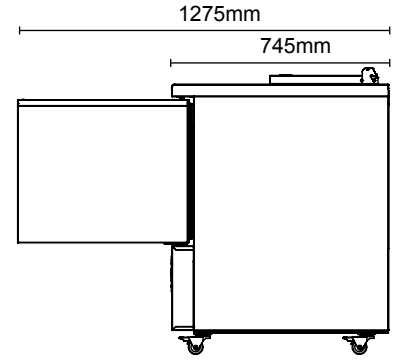
Extra Std Stainless Steel Perforated Shelves / Slides

GN 1/3 Pan Set

Precision Connect



GN1/3 Pan Layout



Model	HSS340
Type	Refrigerator
Material	ST/ST Int/Ext
Shelf Size	507 x 482
Number of GN1/3 Pans Accepted (150mm Deep)	6
Number of Shelves	4
Max Number of Shelves (100mm Spacing)	8
Temperature Range	+1 / 4°C
Exterior WxDxH (mm)	1220x745x990
Weight (KG)	100
Refrigerant / GWP	R290 / 3
Refrigeration Watts (+45°C Condensing)	373
Evaporating Temp	-10°C
Heat Rejection Watts*	611
Noise Output (dBa)	69
Power	230 / 50 / 1
Running Amps	1.7
Total Electrical Load - kW	0.39
Energy Consumption / 24hrs - kWh**	N/A
Energy Consumption / Year (AEC) - kWh**	N/A
Energy Efficiency Class**	N/A

* Heat Rejection is taken at the listed evaporating and condensing condition. Watts is calculated using total power of the cabinet.

** Tested to BS EN ISO 22041

We are constantly innovating and improving our products. Please scan QR code for the most up-to-date version of this spec sheet:

